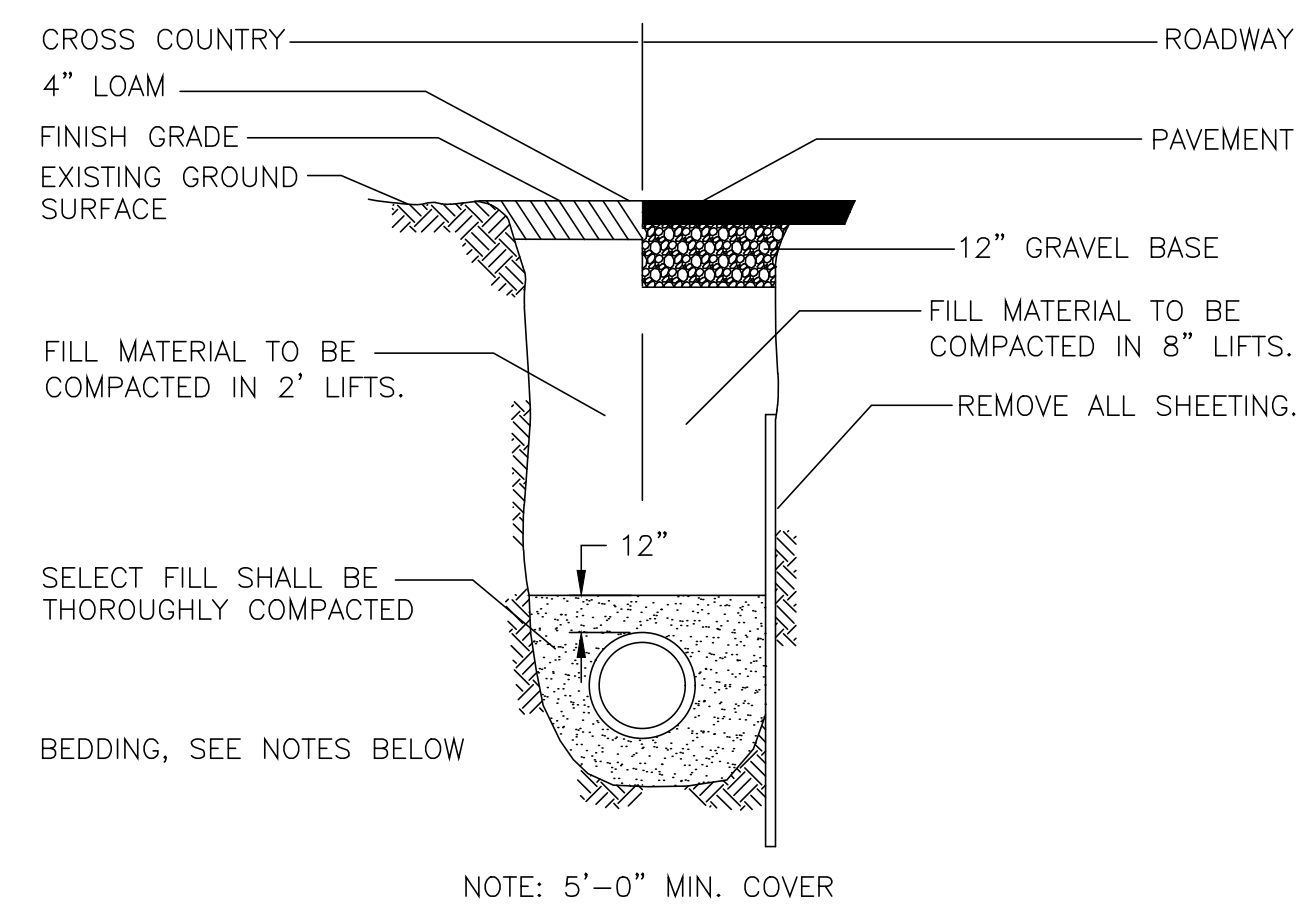
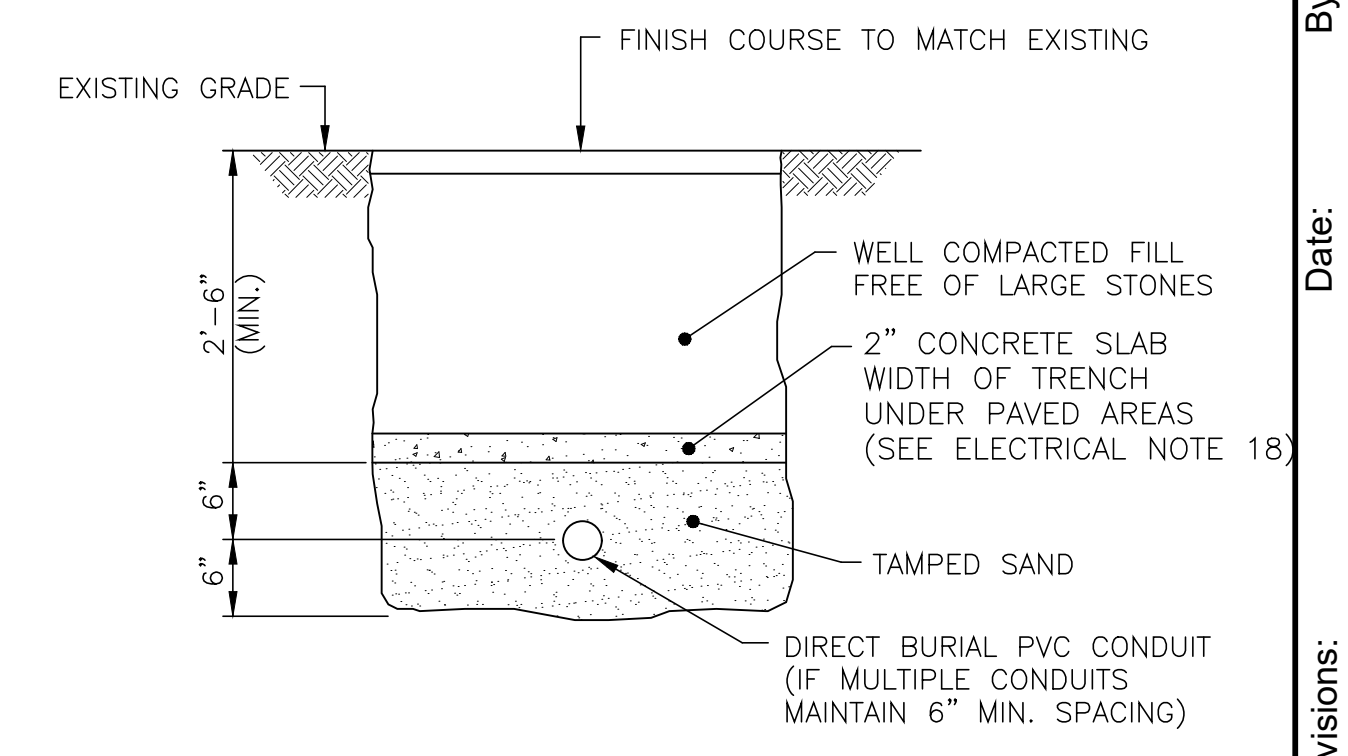


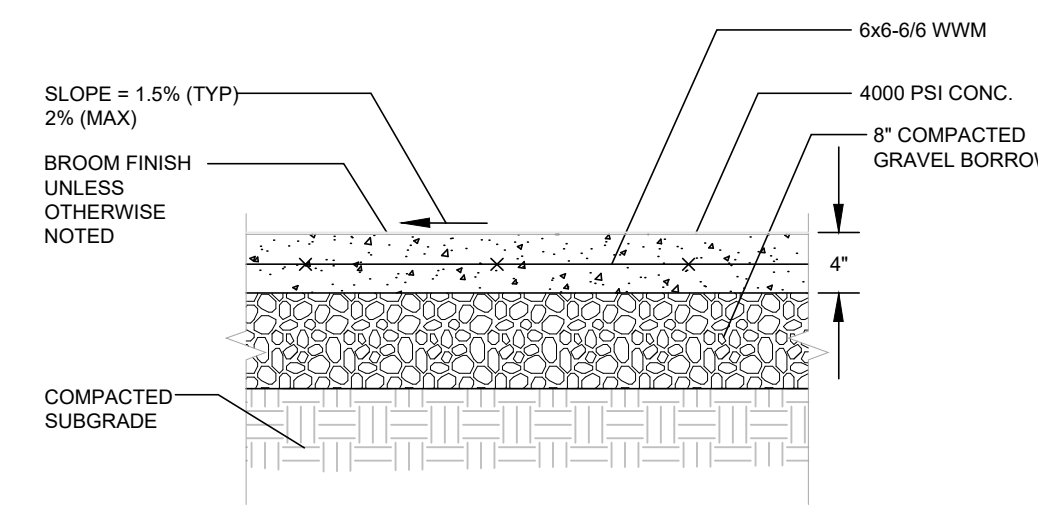
TYPICAL GATE VALVE
NOT TO SCALE



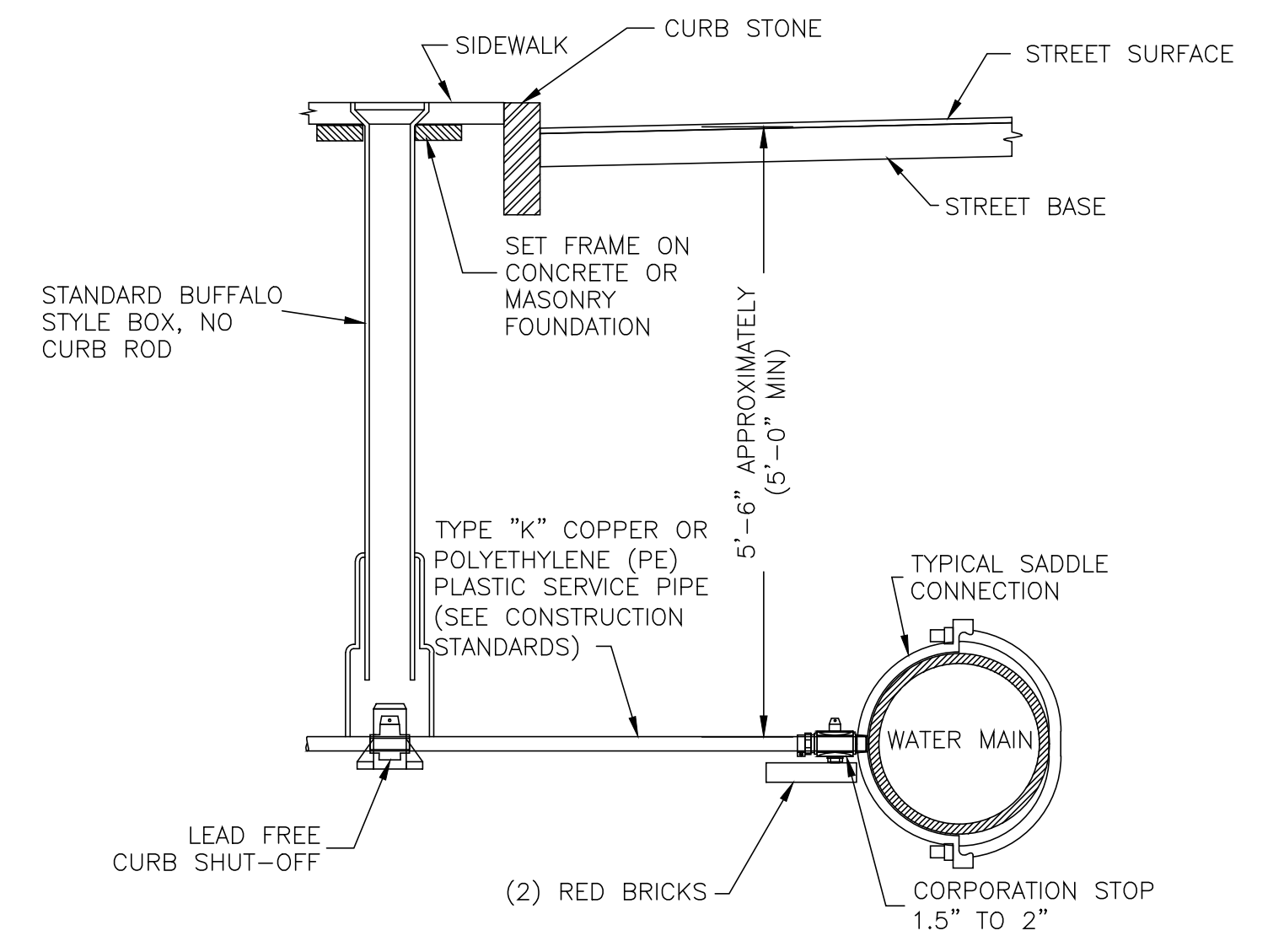
WATER SERVICE TRENCH DETAIL
NOT TO SCALE



DIRECT BURIED ELECTRICAL CONDUIT
NOT TO SCALE

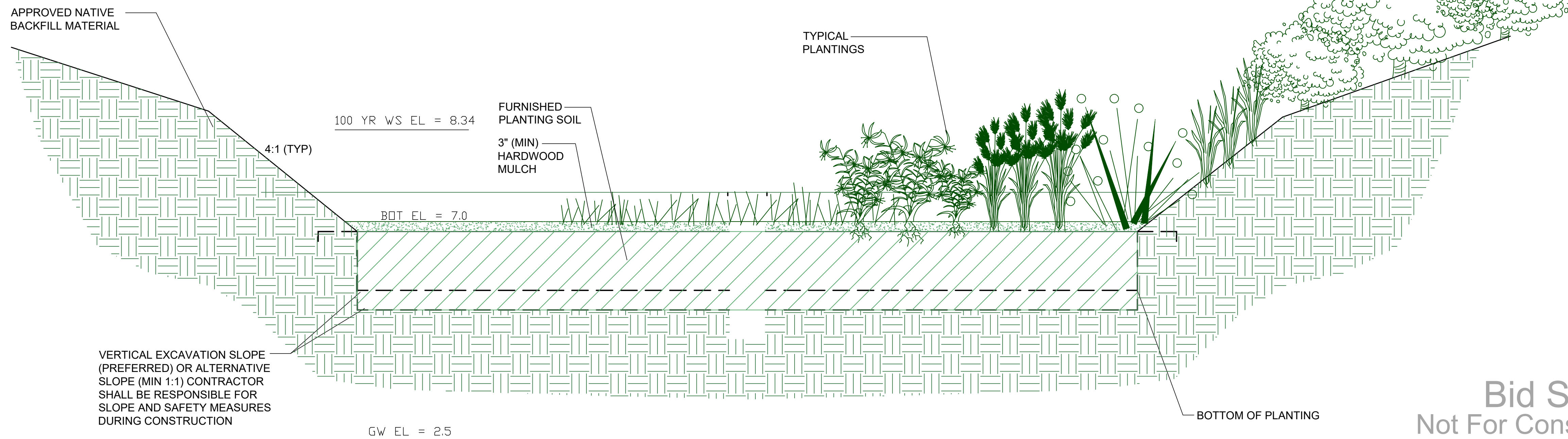


CONCRETE SIDEWALK DETAIL
NOT TO SCALE

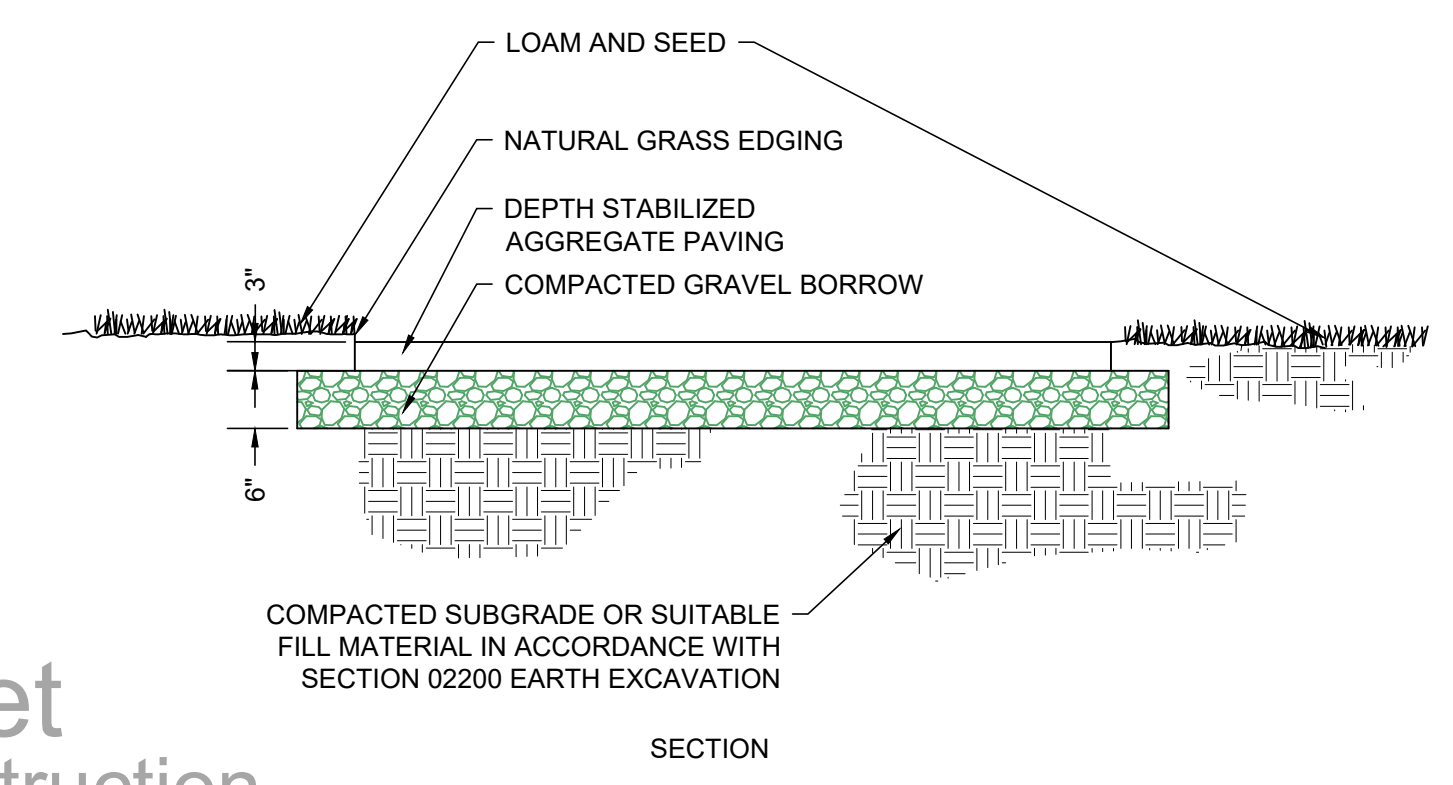


TYPICAL WATER CONNECTION FOR 1-1/2" TO 2" SERVICE
NOT TO SCALE

- NOTES:
1. ORGANIC-LOCK PATHWAY AGGREGATE MUST ALWAYS BE PRE-WET FOR INSTALLATION.
 2. INSTALLATION TO BE COMPLETED IN ACCORDANCE WITH MANUFACTURER'S SPECIFICATIONS.
 3. ALL DIMENSIONS ARE CONSIDERED TRUE AND REFLECT MANUFACTURER'S SPECIFICATIONS.
 4. DO NOT SCALE DRAWINGS.
 5. THIS DETAIL IS FOR INFORMATION PURPOSES ONLY. ALL INFORMATION CONTAINED HEREIN WAS CURRENT AT THE TIME OF DEVELOPMENT, BUT MUST BE REVIEWED AND APPROVED BY THE PRODUCT MANUFACTURER TO BE CONSIDERED ACCURATE.



TYPICAL BIO-RETENTION SECTION
NTS



STABILIZED AGGREGATE PAVING - PEDESTRIAN
NOT TO SCALE

Bid Set
Not For Construction

By:									
Date:									
Revisions:	<table border="1"> <tr><td> </td><td> </td></tr> <tr><td> </td><td> </td></tr> <tr><td> </td><td> </td></tr> <tr><td> </td><td> </td></tr> </table>								
Drawn By:									
Designed By:									
Checked By:									
Scale:	As Noted								
Job No.:									
Date:	May 20, 2022								
107 Beach Rd., Suite 202 Vineyard Haven, MA 02568 Phone: (508) 693-9933 Fax: (508) 693-4933 www.souratigroup.com									
TABERNACLE DETAILS Trinity Park Oak Bluffs, Massachusetts									
Sheet:	4								