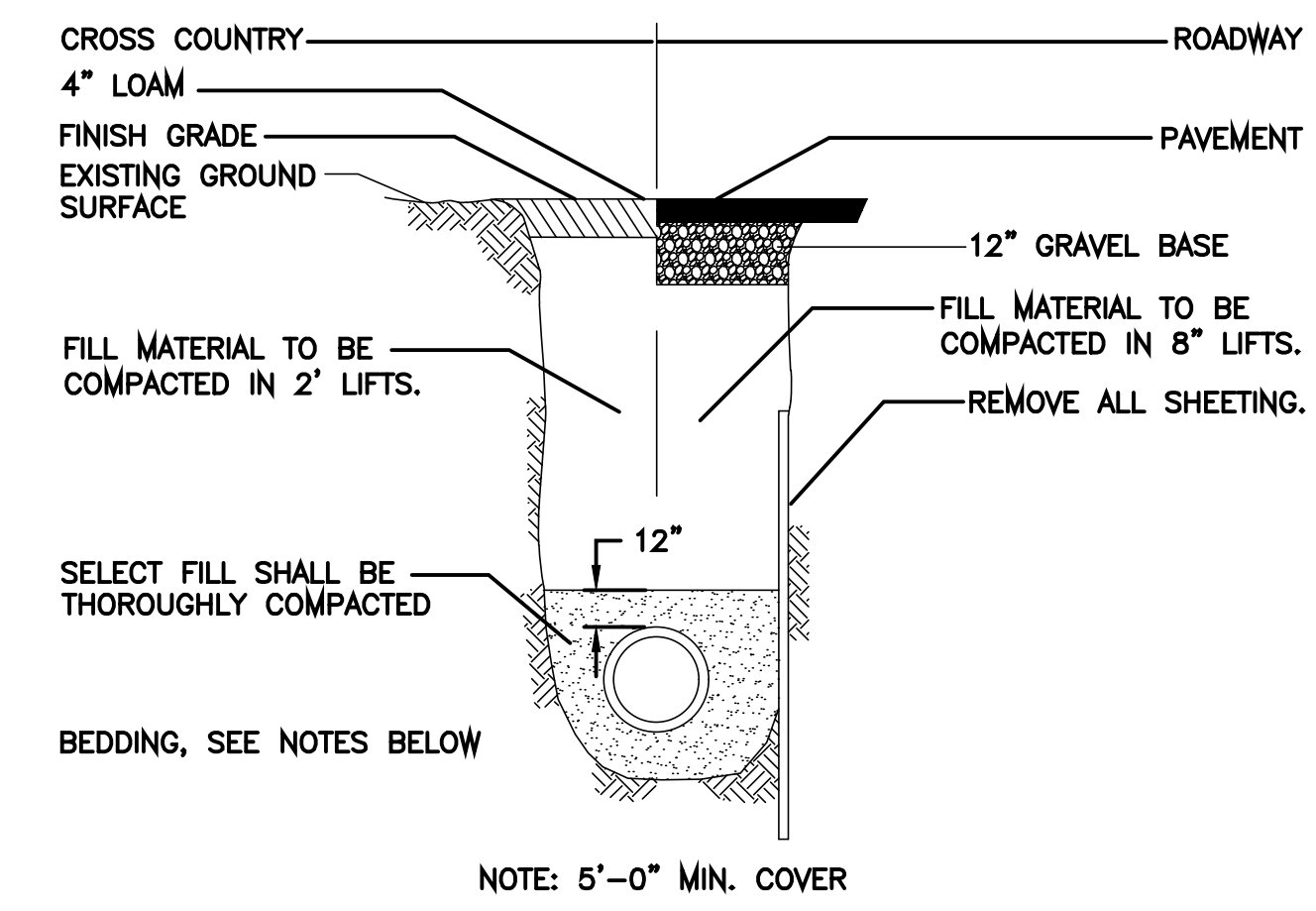
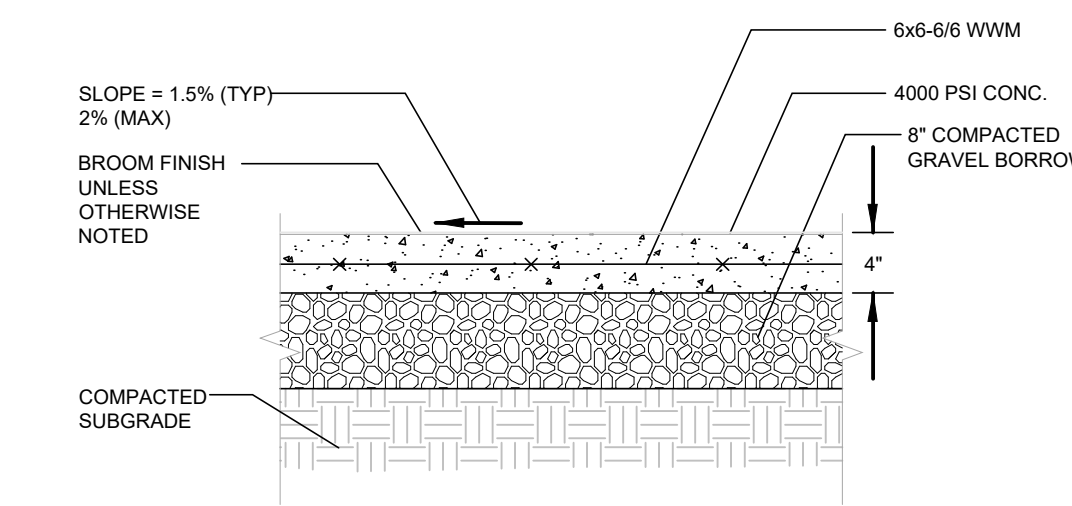


FLANGED END GATE VALVE ATTACHED TO FLANGED TEE OUTLET IS PERMITTED.

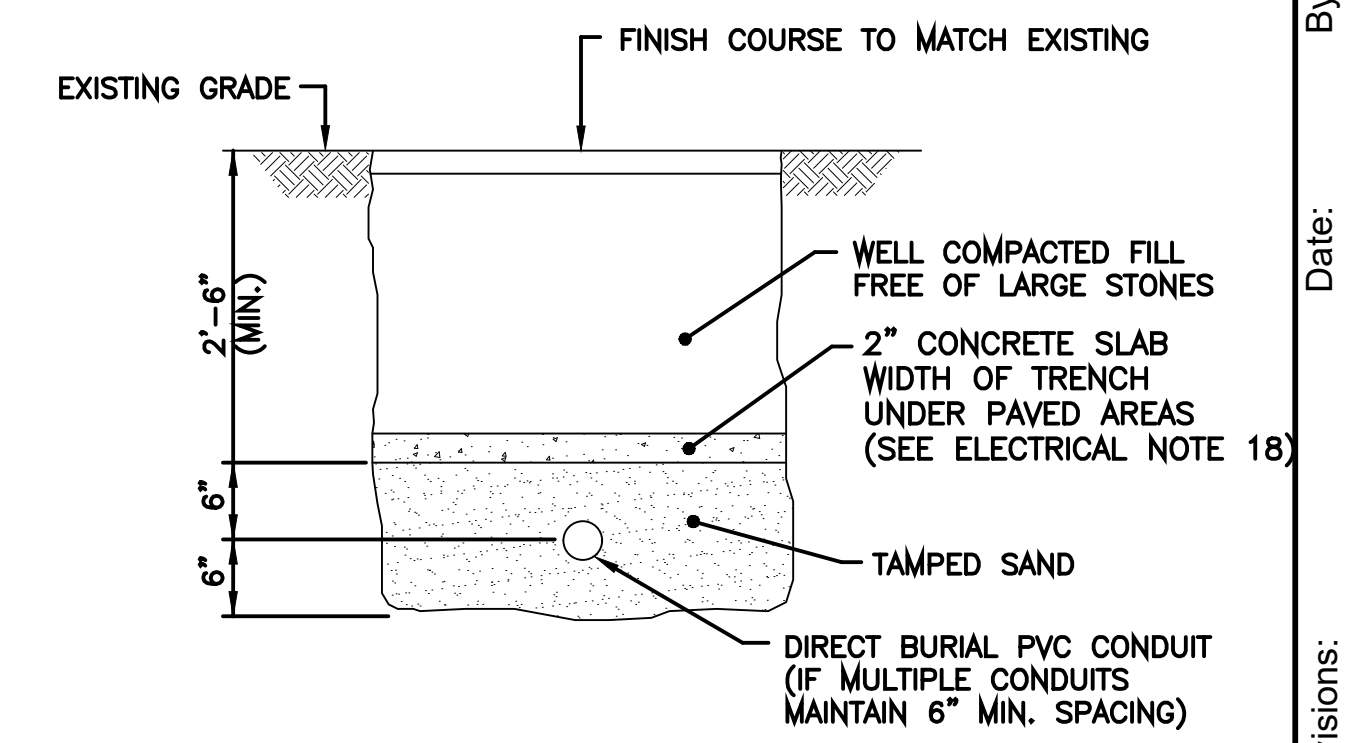
HYDRANT ASSEMBLY DETAIL
NOT TO SCALE



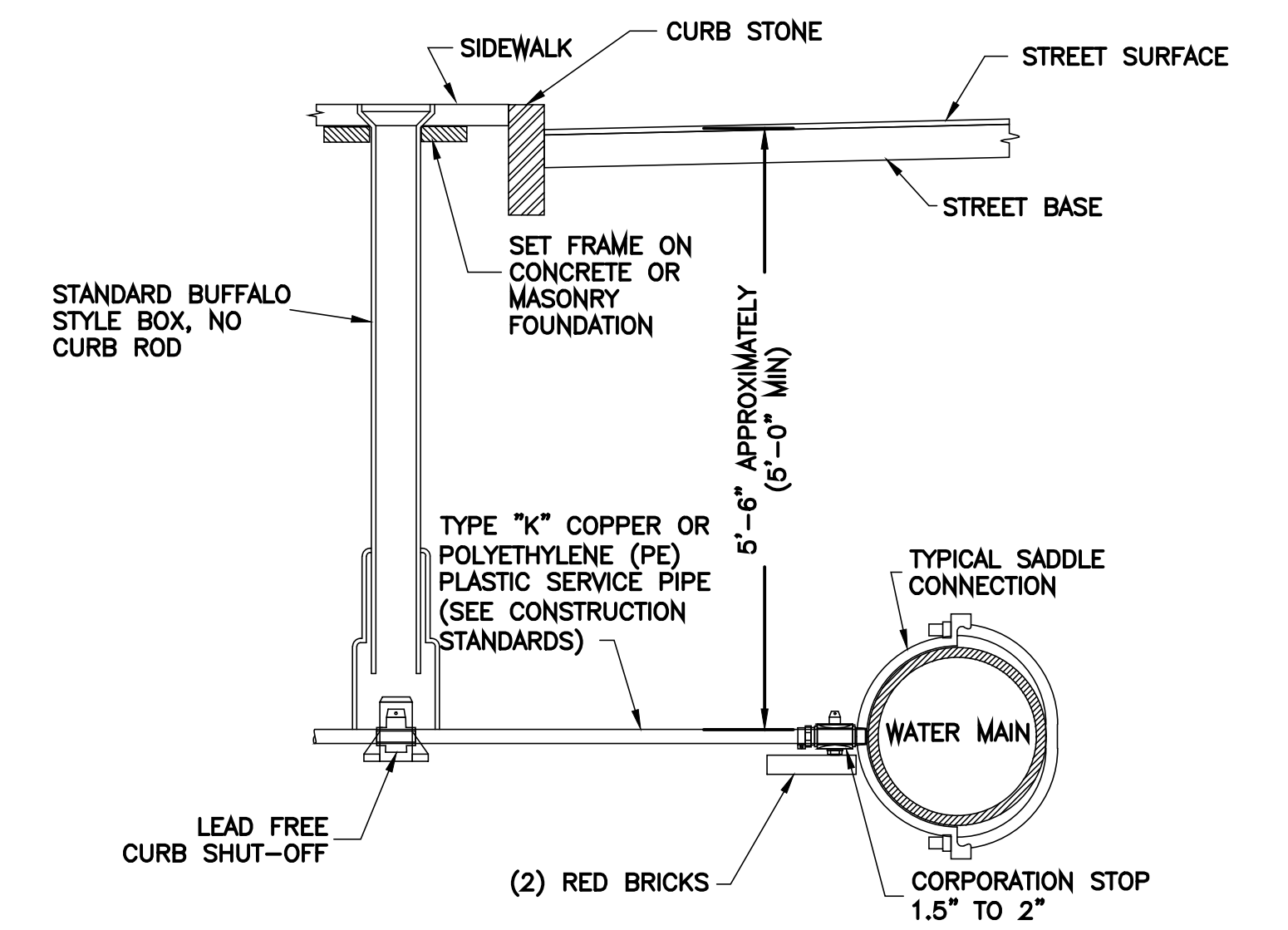
WATER SERVICE TRENCH DETAIL
NOT TO SCALE



CONCRETE SIDEWALK DETAIL
NOT TO SCALE

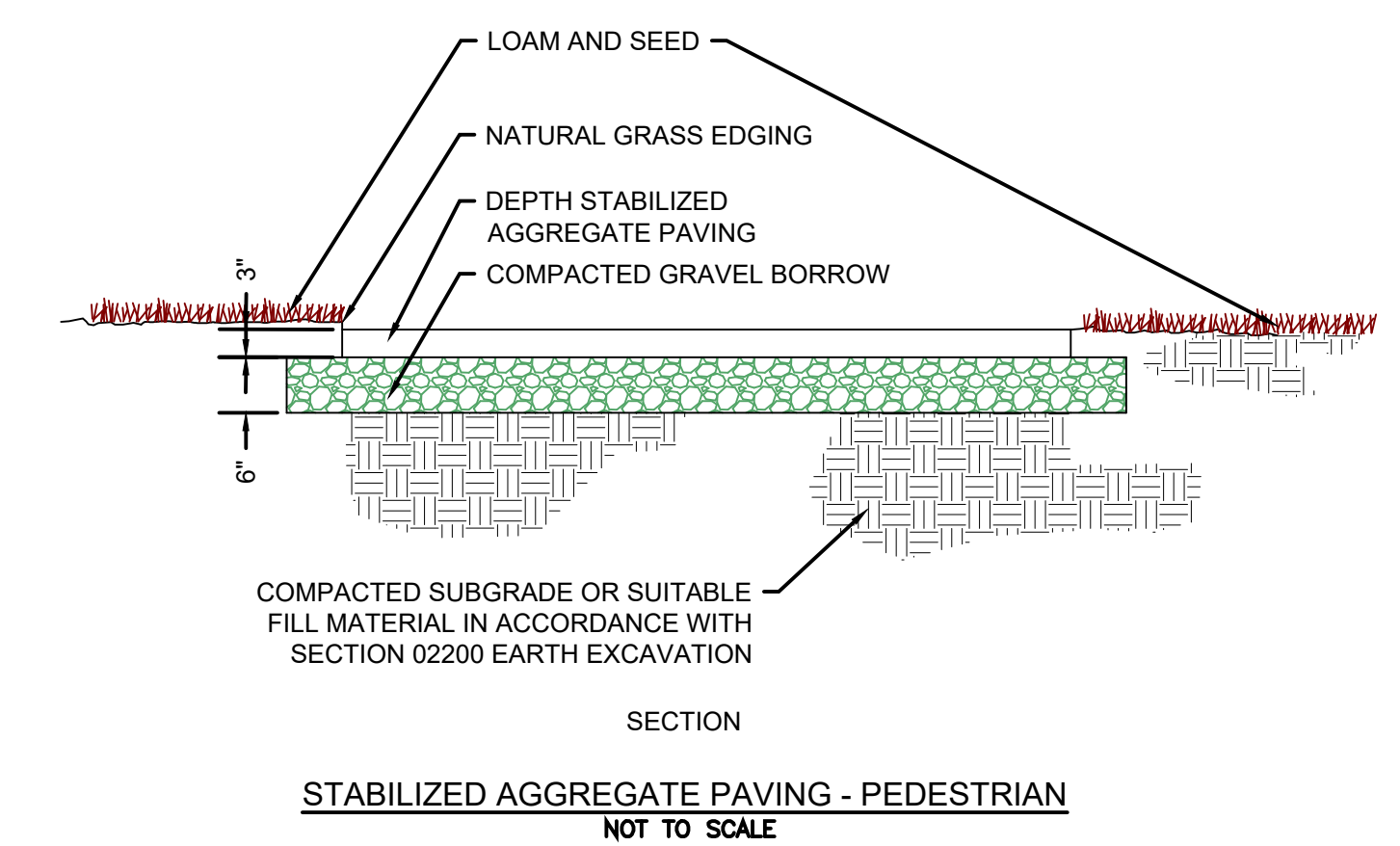


DIRECT BURIED ELECTRICAL CONDUIT
NOT TO SCALE

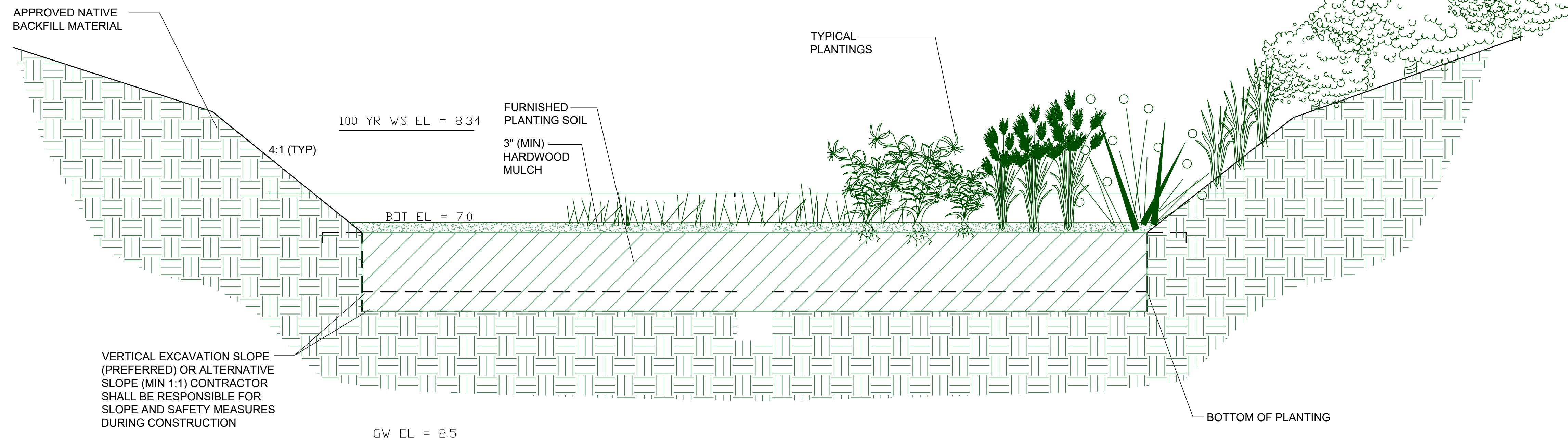


TYPICAL WATER CONNECTION FOR 1-1/2" TO 2" SERVICE
NOT TO SCALE

- NOTES:
1. ORGANIC-LOCK PATHWAY AGGREGATE MUST ALWAYS BE PRE-WET FOR INSTALLATION.
 2. INSTALLATION TO BE COMPLETED IN ACCORDANCE WITH MANUFACTURER'S SPECIFICATIONS.
 3. ALL DIMENSIONS ARE CONSIDERED TRUE AND REFLECT MANUFACTURER'S SPECIFICATIONS.
 4. DO NOT SCALE DRAWINGS.
 5. THIS DETAIL IS FOR INFORMATION PURPOSES ONLY. ALL INFORMATION CONTAINED HEREIN WAS CURRENT AT THE TIME OF DEVELOPMENT, BUT MUST BE REVIEWED AND APPROVED BY THE PRODUCT MANUFACTURER TO BE CONSIDERED ACCURATE.



STABILIZED AGGREGATE PAVING - PEDESTRIAN
NOT TO SCALE



TYPICAL BIO-RETENTION SECTION
NTS

By:									
Date:									
Revisions:	<table border="1"> <tr><td> </td><td> </td></tr> <tr><td> </td><td> </td></tr> <tr><td> </td><td> </td></tr> <tr><td> </td><td> </td></tr> </table>								
Drawn By:									
Designed By:									
Scale:	As Noted								
Job No.:									
Date:	October 30, 2021								
107 Beach Rd., Suite 202 P.O. Box 4458 Vineyard Haven, MA 02568 Phone: (508) 693-9933 Fax: (508) 693-4933 www.souratigroup.com									
SOURATI engineering group llc									
TABERNACLE DETAILS Trinity Park Oak Bluffs, Massachusetts									
Sheet:	3								